

Working in Partnership

TH Plastics & Kautex Unipart Ltd

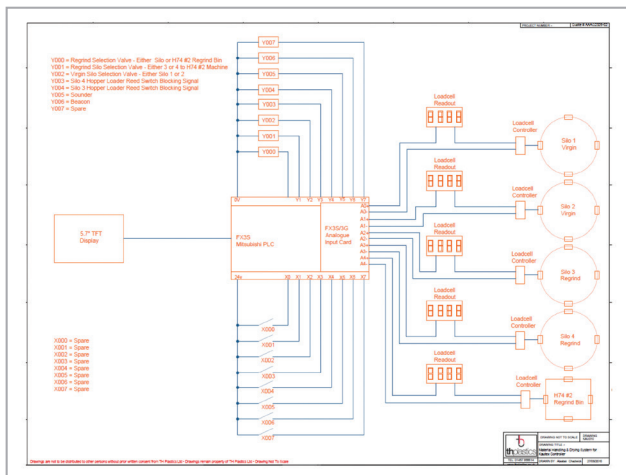
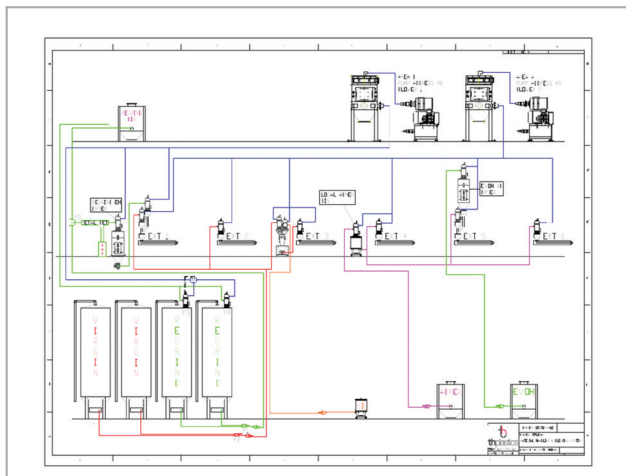
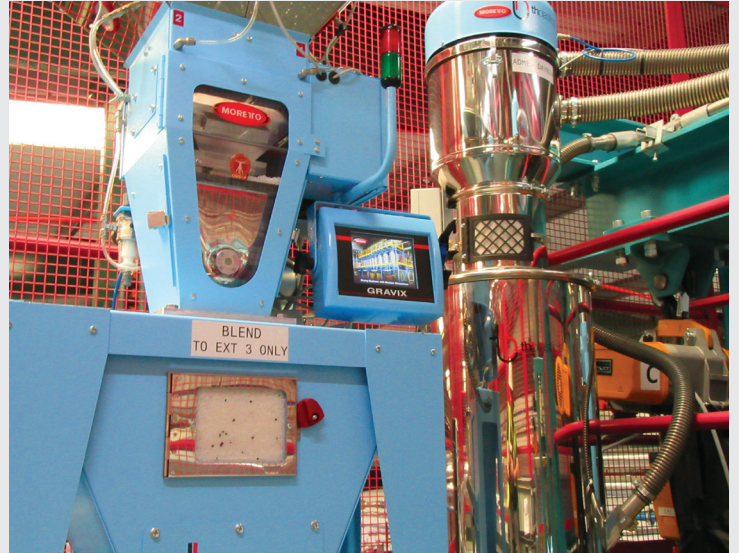
**KAUTEX
UNIPART**

thplastics
Complete ancillary solutions

A bespoke solution for Kautex

TH Plastics' developed a bespoke solution for Kautex Unipart, primarily comprising Moretto equipment: blenders, dryers, hopper loaders, suction unit with sound enclosure, dust filters, material feed pipes and metal separators.

Central to TH Plastics' solution was Moretto's MOWIS integrated multi-user supervision system, which is server-based and suitable for the management of complex systems, coordinating the operation of feeding, drying, dosing, and storage.



Added Value

After an initial meeting with the sales and marketing manager of TH Plastics, it was apparent that this was a project that would benefit from further technical analysis.

A meeting was arranged with key stakeholders in the project from Kautex and a team from TH Plastics including sales manager, design engineer and managing director. During the meeting, several points were discussed where alterations could be made to the URS that would make the system more flexible, automated and efficient.

After these discussions, drawings and schematics were supplied, illustrating the way in which the various components would integrate and why these would provide benefits over the original design brief.

Integrating the new ancillary equipment

TH Plastics' work began with a creative, flexible and value-added response to Kautex Unipart's brief, devising a bespoke solution that exceeded initial stipulations. It progressed to include the presentation of the opportunity to try out the proposed MOWIS supervision system.

The firm's installation project began in July 2015 with the fitting of pipework in advance of the delivery of Kautex' new blow moulder. The materials handling components were installed between August and November.



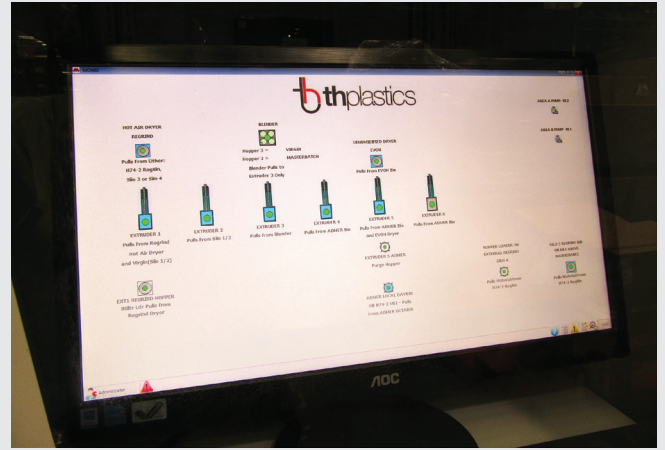
“ TH Plastics was clearly a tremendously professional organisation, efficiently structured and with considerable in-house expertise. ”

*Carl Lawrence,
Advanced Manufacturing Manager*

Bespoke Training

Once the solution was in place, TH Plastics produced a bespoke training booklet with SOPs (standard operating procedures) that directly related to the system installation, not just generic equipment manuals.

TH Plastics offers a 24/7 support package, and its training enables many queries to be effectively dealt with by phone, with the customer sufficiently well informed to be able to implement verbal instruction. Where necessary and at any time, TH Plastics' engineers are deployed in person.



A working partnership approach

“ As a result of our initial dealings with TH Plastics, we had high expectations of the company, but I have to say that even these were surpassed. The quality of the workmanship was outstanding and the speed and safety with which the work was undertaken made the installation a joy to witness. And when the installation was complete and the system was switched on, it worked perfectly immediately.

*Carl Lawrence,
Advanced Manufacturing Manager*

